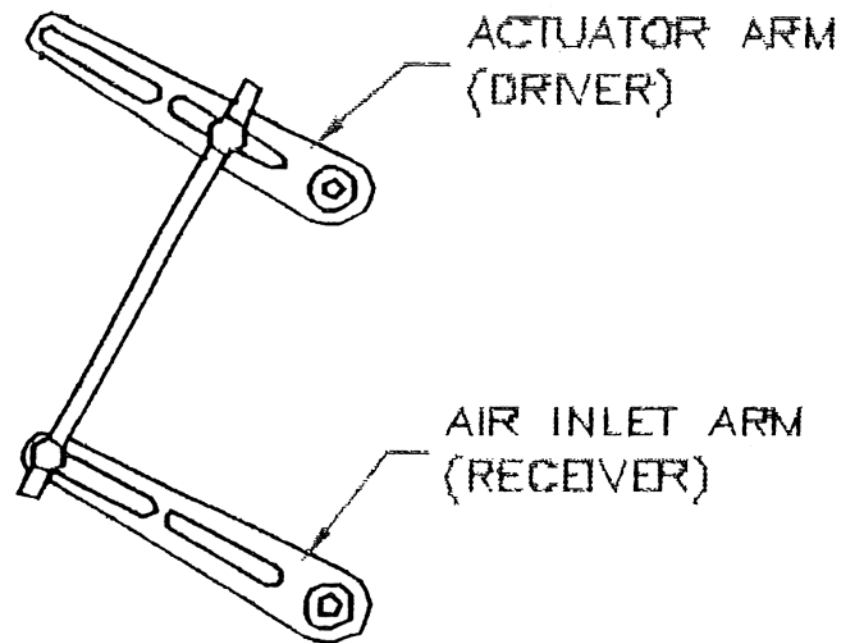
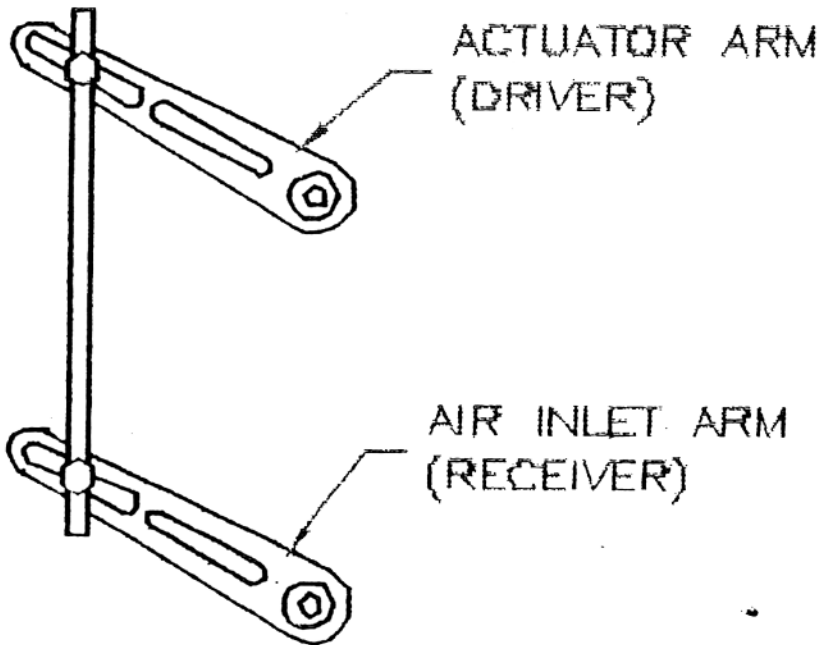


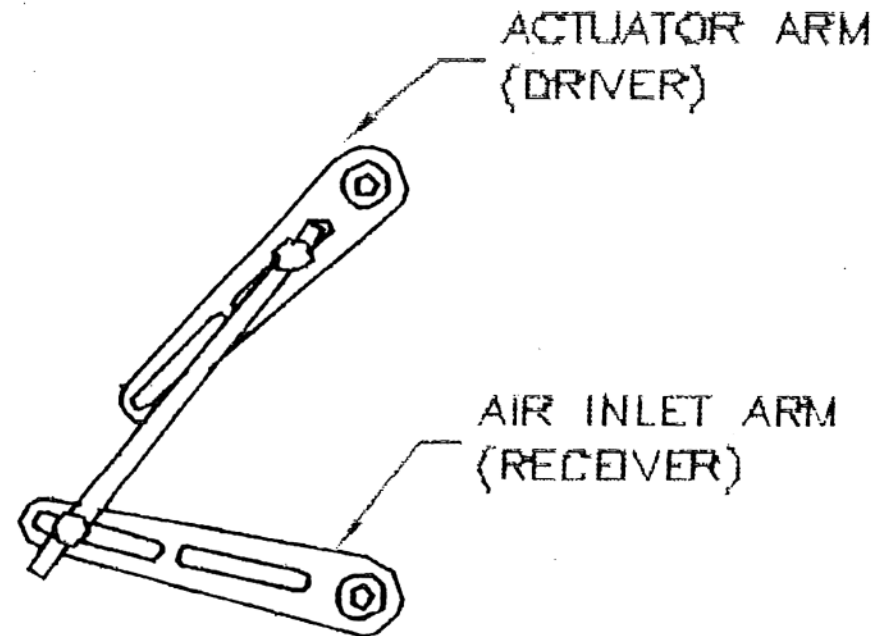
MAXIMUM TRAVEL



MINIMUM TRAVEL



FAST TRAVEL



SLOW TRAVEL