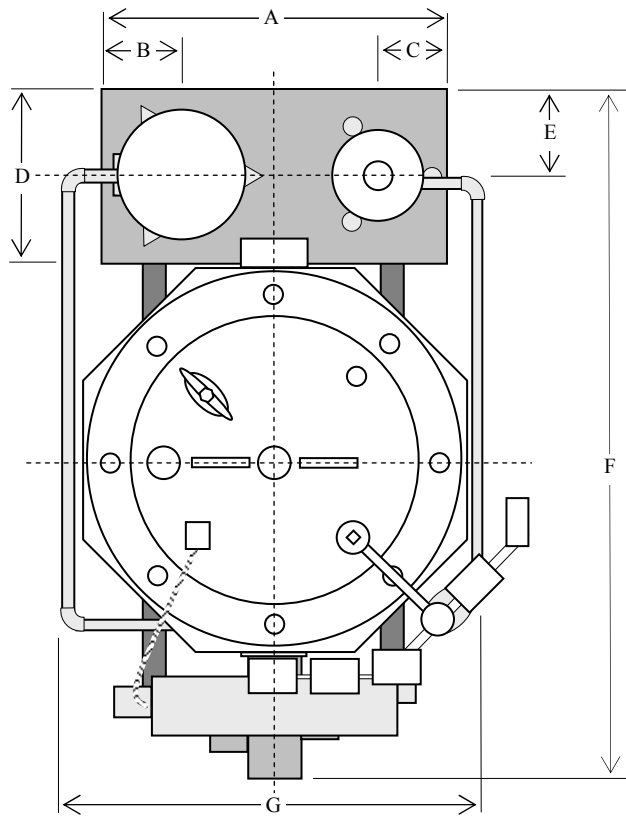


LATTNER BOILER COMPANY

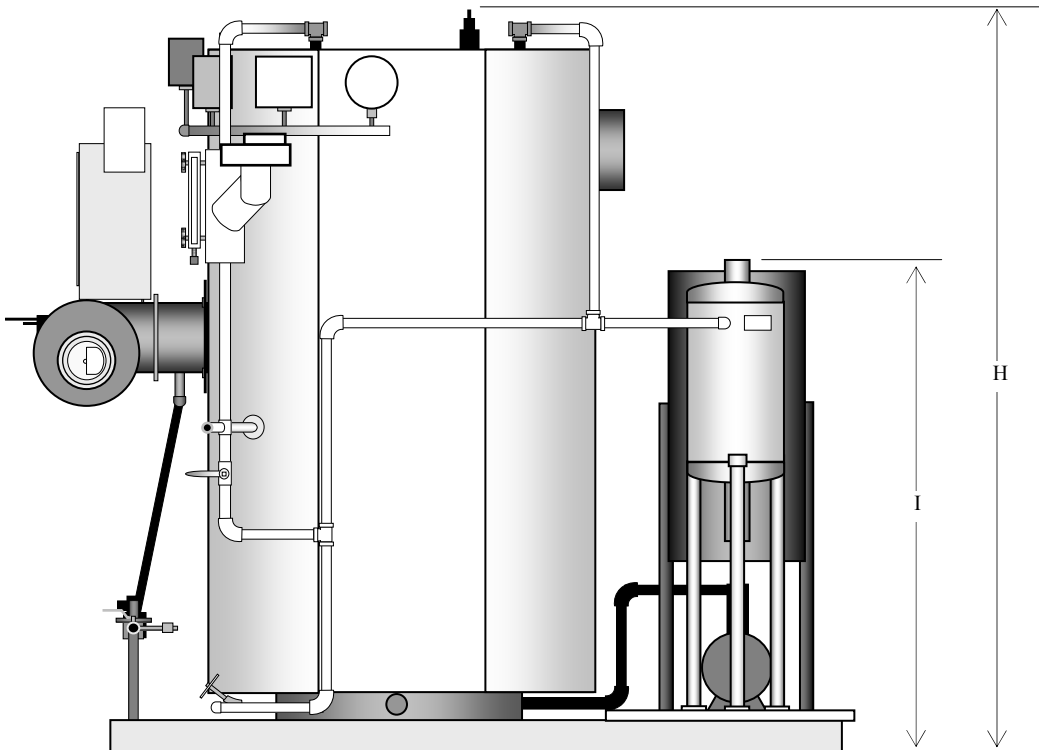
Model WLF Steam Boiler Skid Mounted
with Vertical Return System and Blowdown Separator



	10	15	20	25	30	40	50
A	42"	42"	42"	42"	42"	42"	48"
B	12"	12"	12"	12"	12"	12"	15"
C	10"	10"	10"	10"	10"	10"	10"
D	28"	28"	28"	28"	28"	28"	34"
E	10¼"	10¼"	10¼"	10¼"	10¼"	10¼"	10¼"
F	97"	97"	97"	97"	97"	97"	103"
G	59"	59"	59"	59"	64"	72"	88"
H	74"	74"	80"	80"	83"	94"	105"
I	55"	55"	55"	55"	67"	67"	67"

Notes:

- For duplex feedwater systems, add 5" to the F dimension (length with trim) for additional panel box.
- Chemical feed and water softener systems are built on a separate, bolt-on skid (rear). Contact Lattner for specific dimensions.
- Low-NOx package adds 6" inches to F dimension.



Lattner Boiler Company

Lattner Boiler Company
1411 9th St. SW
Cedar Rapids, IA 52404
T: (319) 366-0778
F: (319) 366-0770
W: www.lattner.com